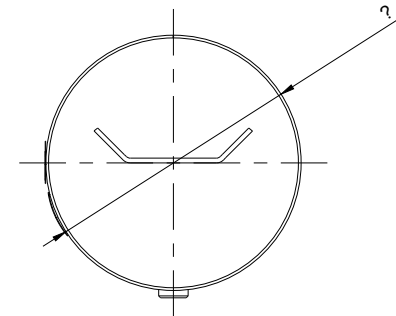
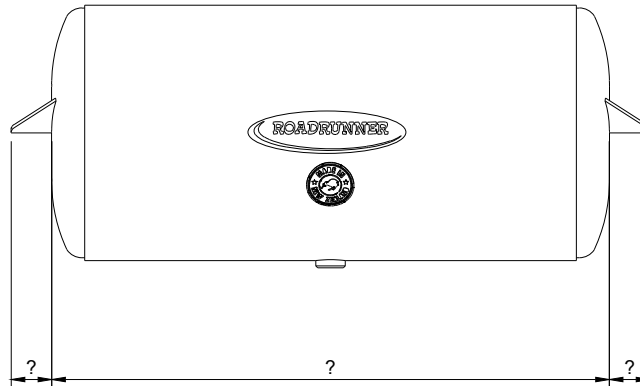
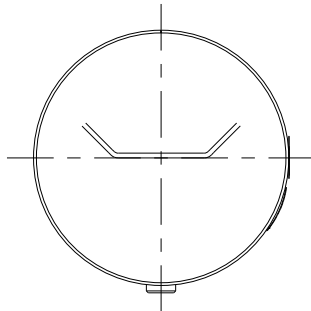
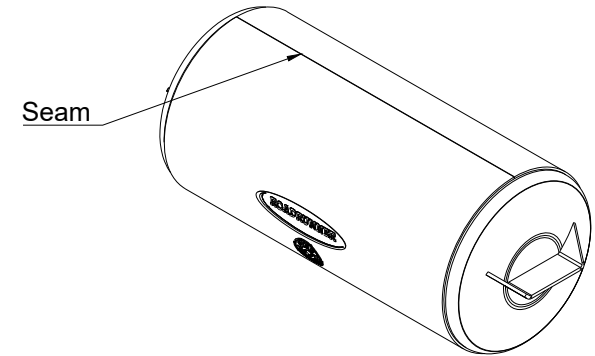


ISSUE	DETAILS	DATE
A	TO BE APPROVED FOR MANUFACTURE	

TANK DIAMETER	
Ø 190	
Ø 266	
Ø 300	
Ø 350	

PLEASE SHOW DIMENSIONS OF TANK AND BOSS SIZE AND LOCATION



THIS DRAWING AND/OR ELECTRONIC MEDIA CONTAINING THIS DRAWING REMAIN THE PROPERTY OF ROADRUNNER MANUFACTURING LTD. IT MAY NOT BE COPIED OR USED IN ANY UNORTHERISED MANNER

ROADRUNNER
ROADRUNNER MANUFACTURING (NZ) LIMITED



CLIENT:

TITLE: **Air Tank**

DATE:

SCALE:
1:8

DRAWN BY:
Steve Tunncliffe

PRODUCT CODE:

JOB NUMBER

SHEET:

1/1

ISSUE: